

**Features and Benefits**

- Compact
- Durable
- Sealable design
- Easy to integrate
- Ultra-thin mounting profile

**Contact Us**

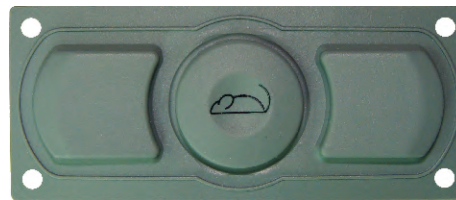
**United States Corporate Office**  
 Interlink Electronics, Inc.  
 546 Flynn Road  
 Camarillo, CA 93012, USA  
 Phone: +1-805-484-8855  
 Fax: +1-805-484-9457  
 Website:  
[www.interlinkelectronics.com](http://www.interlinkelectronics.com)  
 Sales and support:  
[fsr@interlinkelectronics.com](mailto:fsr@interlinkelectronics.com)

**Japan**  
 Japan Sales Office  
 Phone: +81-45-263-6500  
 Fax: +81-45-263-6501  
 Website:  
[www.interlinkelec.co.jp](http://www.interlinkelec.co.jp)

**Description**

**MicroModule for Rugged Mousing Applications**

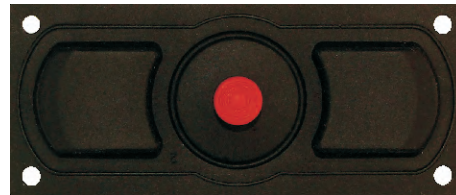
Both Mini Joystick and Finger Disk modules are dual click-button pointing devices designed for integration into tight, cramped spaces. The MicroModule is plug-and-play, utilizing standard mouse data output. Several cabling options are available.



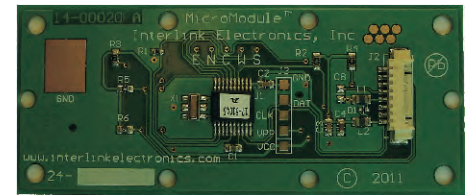
Grey Finger Disk Option



Black Finger Disk Option



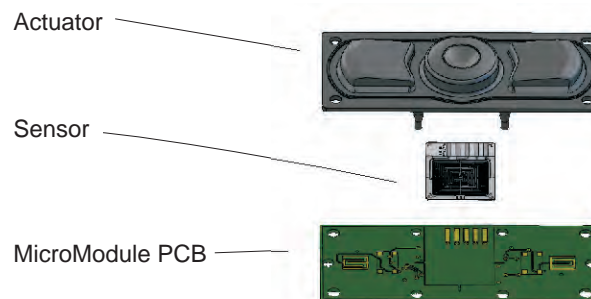
Mini Joystick Option



MicroModule, Rear View

**User Control Options**

The touch of a fingertip on the MicroModule actuator delivers simultaneous 360° control of cursor direction and speed. Choose from 2 actuators styles, either Mouse Button (round disk with a divot for a fingertip), or Mini Joystick (a compact control stick).



## Device Characteristics

Keypad Options	Black finger disk, grey finger disk, black mini joystick
Weight	15 grams or less
Operating Temperature Performance	Functional before, during, and after exposure to the below conditions
Cold Dry	-25°C <=5%RH for 96 hours
Cold Humid	10°C 95%RH for 96 hours
Hot Dry	70°C <=10% RH for 96 hours
Hot Humid	70°C 95%RH for 96 hours
Storage Temperature Performance	Functional after 96 hours of exposure to the below conditions
Cold Dry	-40°C <=5%RH for 96 hours
Hot Dry	85°C <=10%RH for 96 hours
Hot Humid	85°C 95%RH for 96 hours
Thermal Shock	Functional after 20 cycles of -40°C to 85°C with a 30 minute dwell time and 5 minute transitions
Finger Disk Lifetime Durability	>3.5 million actuations with 500g at 4Hz
Keypad Lifetime Durability	>1 million cycles with 500g at 4Hz
Drop Test	Dropped from 1 meter onto concrete on all six sides
Mechanical Shock	Comparable to MIL-STD-202, 80G accelerated in 11 msec
Mechanical Vibration	Comparable to MIL-STD-202, Method 204, Condition A
Chemical Resistance	Keypad surface resistance to most common cleaners and spills for 24 hours. These include: Water, soap, bleach, alcohol, ammonia NH <sub>4</sub> OH based window cleaner, acetic acid CH <sub>3</sub> COOH based cleaner, cola, coffee with sugar and cleaner.
EMI	FCC Rule 15 Class B Computing Device Peripheral
ESD Susceptibility	IEC 801-2, Level 4 (No errors at 8KV air discharge and 15KV contact discharge)
UL	All materials UL grade 94 V-1 or better
RoHS	Compliant

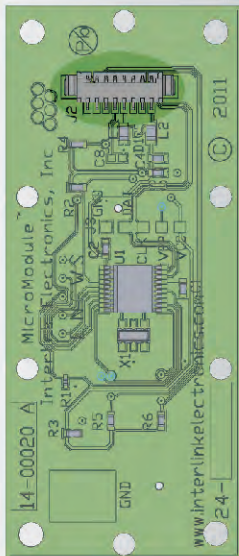
## Connector Options

### Header

One connector option for the MicroModule is to use wire to board header connectors. The header uses a Molex #53261-0871 with associated connectors for the USB connection.

### Header Wire and Cable Options

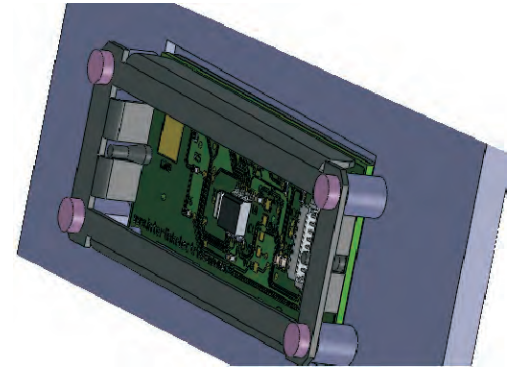
- Bare Wire Harness PN 14-16576
- USB Type A with Strain Relief PN 14-00108
- USB Type A PN 14-00054



## Application Information

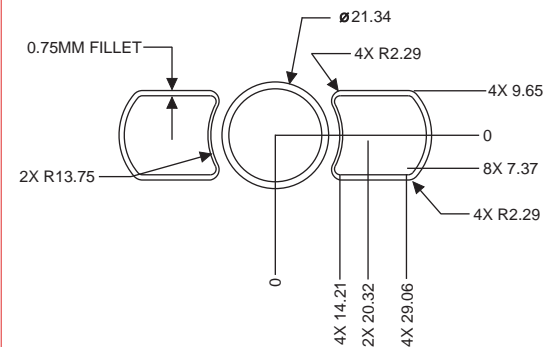
### Mounting

Can be fitted into various assemblies to meet specific demands for user control locations.

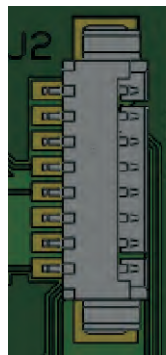


### Mounting, Panel Cutout

See the Integration Guide for more detailed mounting recommendations.



### Pin Out



J2 Pin	Signal	Signal Description
1	VCC	+5v
2	D+	D+
3	D-	D-
4	GND	Ground

For more information consult the Integration guide found on our website:  
[www.interlinkelectronics.com/support](http://www.interlinkelectronics.com/support)

## Orderable Part Numbers

### Hardware Development Kit, 54-00028

This hardware development kit includes:

- MicroModule Demo (Black Finger Disk) with UBS Cable (Qty. 1)
- USB MicroModule with Mini Joystick (Qty. 1)
- Gray Finger Disk Keypad (Qty. 1)
- Cable Harness VP810, 12 inch (Qty. 1)
- USB Cable Assembly (Qty. 1)
- USB MicroModule Integration Guide
- USB MicroModule Data Sheet

### USB MicroModule with Black Finger Disk 54-00002

### USB MicroModule with Gray Finger Disk 54-00023

### USB MicroModule with Mini Joystick 54-00011

### Cable Hardness, 12 inch 14-16576

### USB Cable Assembly 14-00054

### USB Demo Cable Assembly 14-00108

## Mechanical Data

